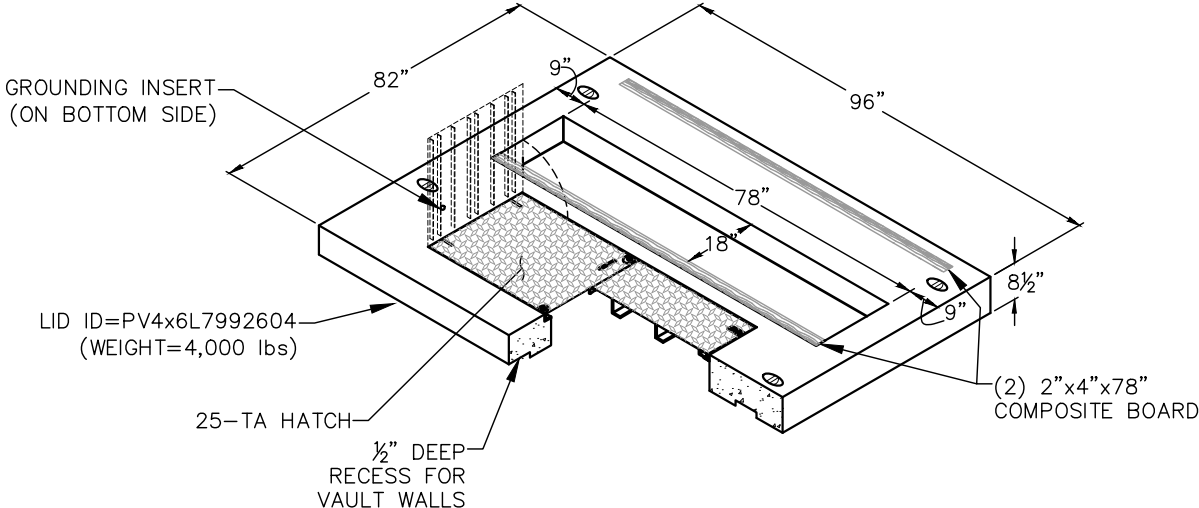
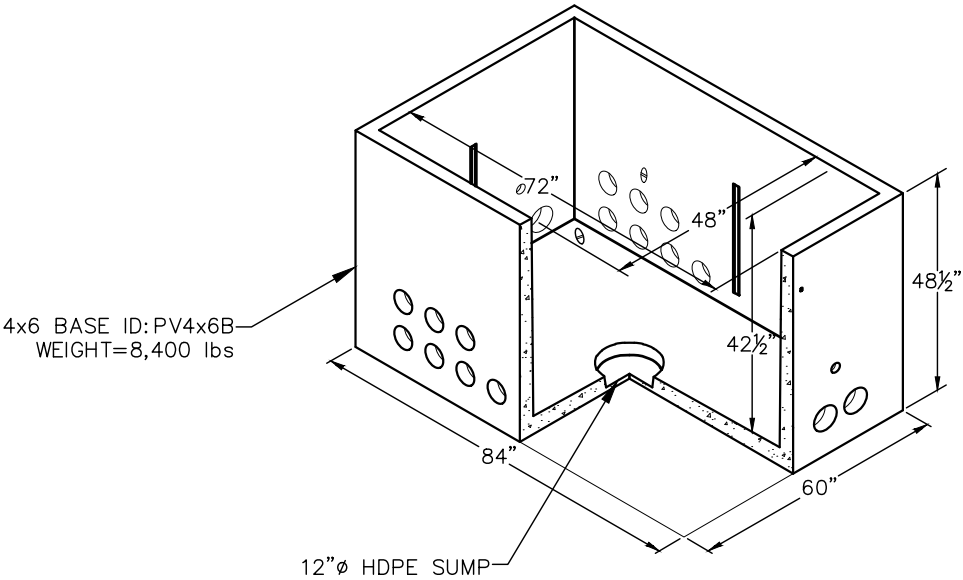


LID 7992604 FOR 4x6 BASE



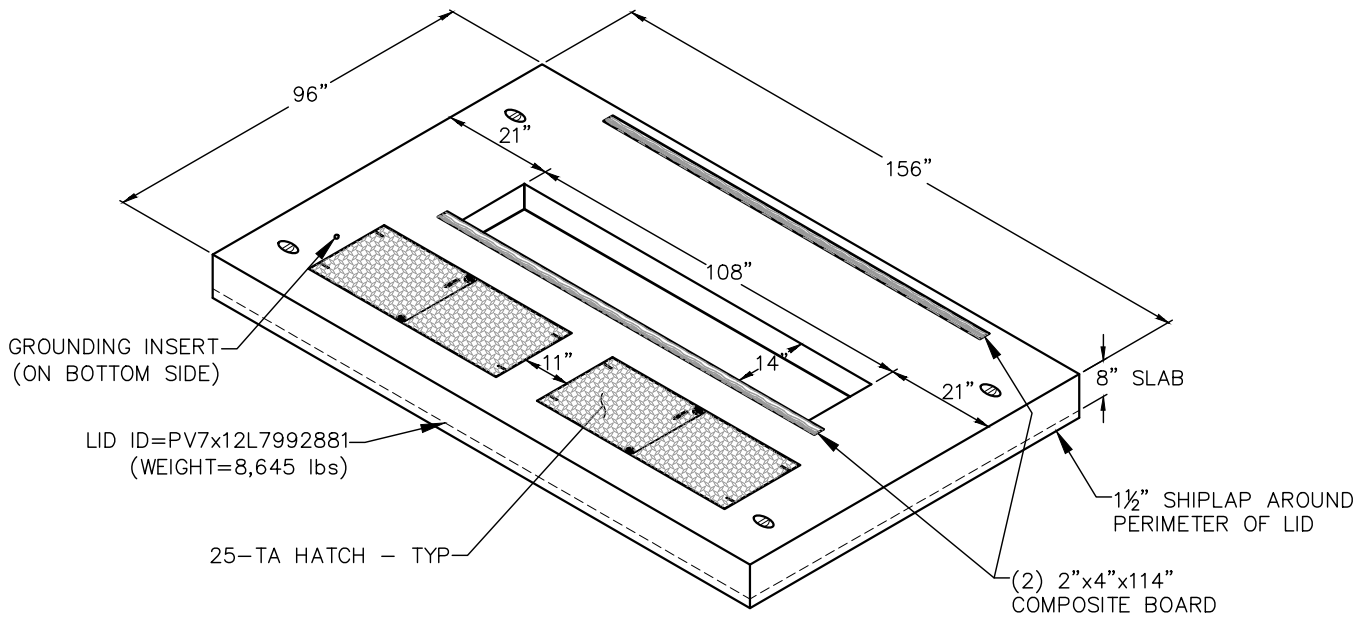
3 OR 4 POSITION THREE-PHASE FUSING CABINET PADVAULT FOR 4X6 BASE (SEE ZG 621)



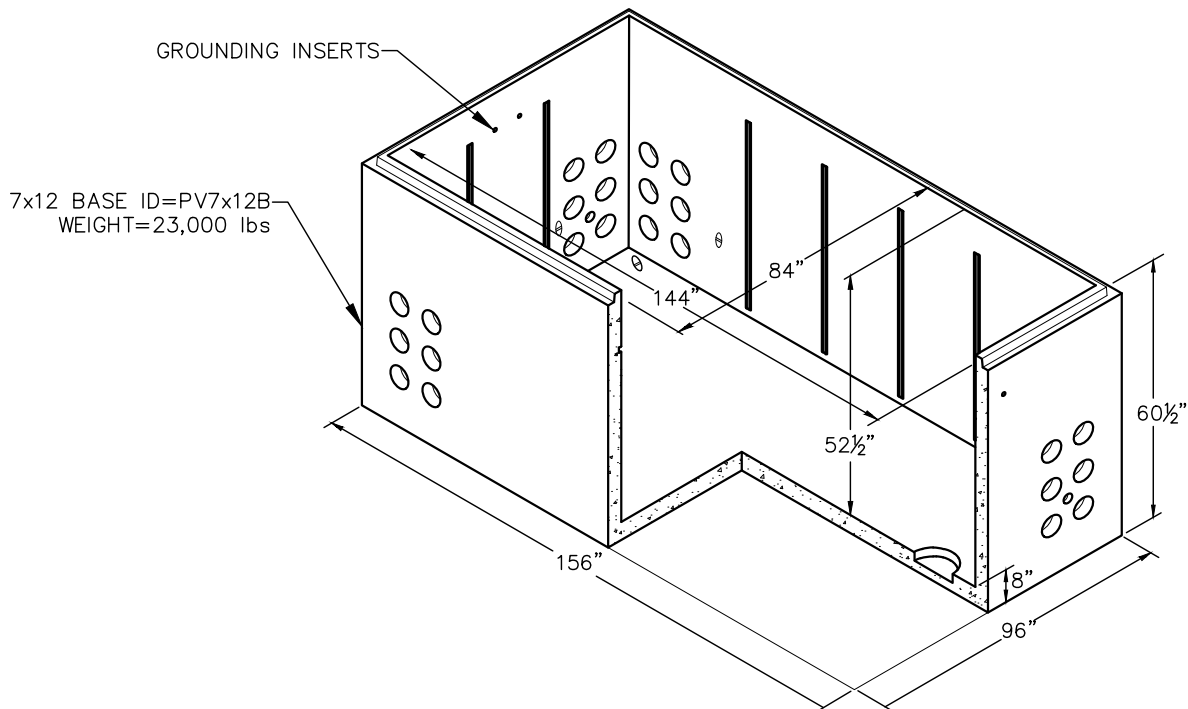
4x6 BASE (REF ZG 621)

	SHEET: ZG 551 7992604		PROJECT: ISOMETRIC VIEW, PACIFICORP	
	SCALE: N.T.S.	DRAWN: JJOLLEY	LOCATION: SALT LAKE - OREM - ST. GEORGE	
	DATE: 2-24-2015	TITAN ID: AS SHOWN	PH: 801-225-2416	
				1 of 2

LID 7992881 FOR 7x12 BASE



5 POSITION THREE-PHASE FUSING CABINET PADVAULT FOR 7X12 BASE (SEE ZG 562)



7x12 BASE (REF ZG 562)



SHEET:	ZG 551 7992881
SCALE:	N.T.S.
DATE:	2-24-2015
DRAWN:	JJOLLEY
TITAN ID:	AS SHOWN

PROJECT:	ISOMETRIC VIEW, PACIFICORP
LOCATION:	SALT LAKE - OREM - ST. GEORGE
PH:	801-225-2416